



Download from  
**Dreamstime.com**

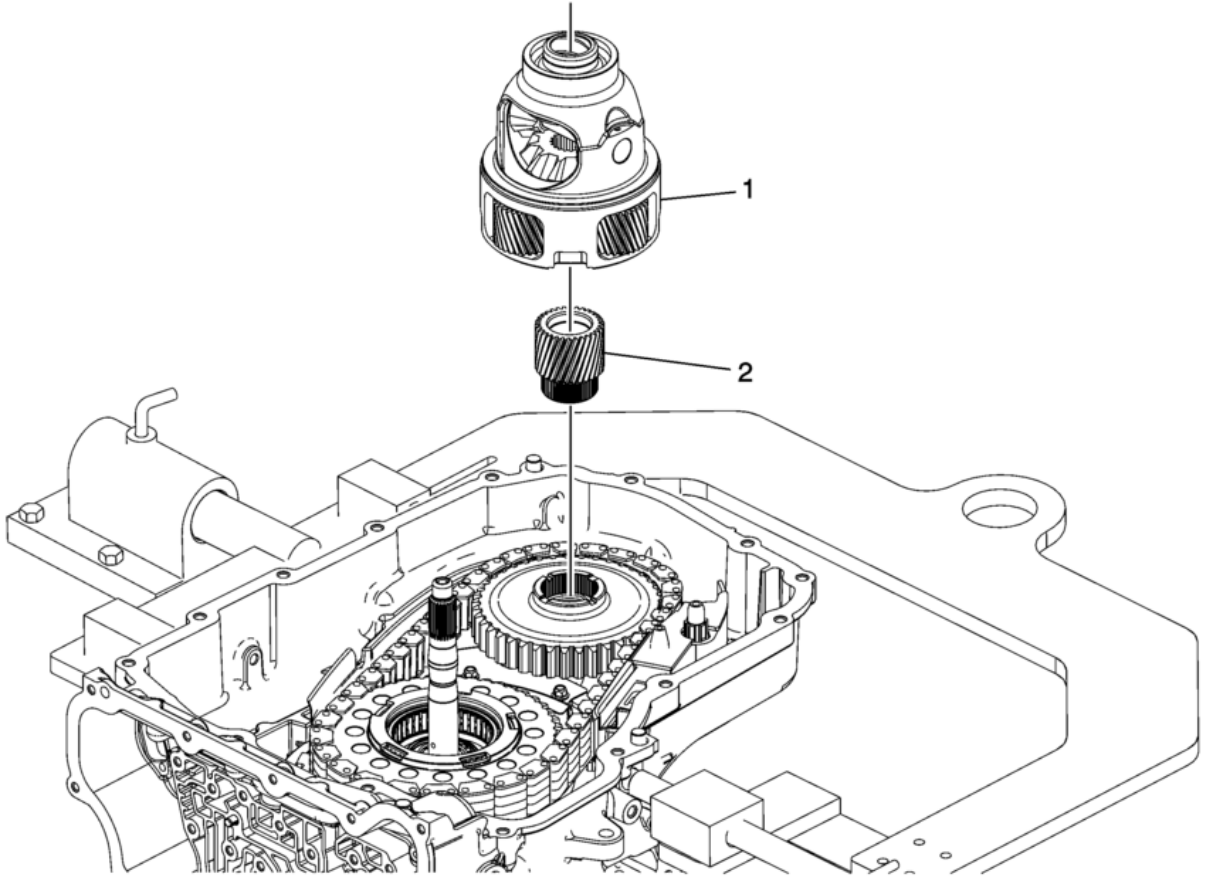
This watermarked comp image is for previewing purposes only.



ID 35103813

© Yulia Gapeenko | Dreamstime.com

[6T30 Automatic Transmission Service Manual](#)



[6T30 Automatic Transmission Service Manual](#)



Download from  
**Dreamstime.com**

This watermarked comp image is for previewing purposes only.



ID 35103813

© Yulia Gapeenko | Dreamstime.com

---

The torque converter used in the Chevrolet 6T30 transmission uses a single plate lock-up clutch which provides a mechanical coupling to the drive with no slippage and minimal power loss.. 6 LS model Chevrolet Innovative design provides compact form The Chevrolet Hydra-Matic 6T30 is an advanced electronically controlled automatic transmission designed specifically for small car applications.. The key concept behind this all-new 6-speed auto transmission is the compact design and packaging of the unit.

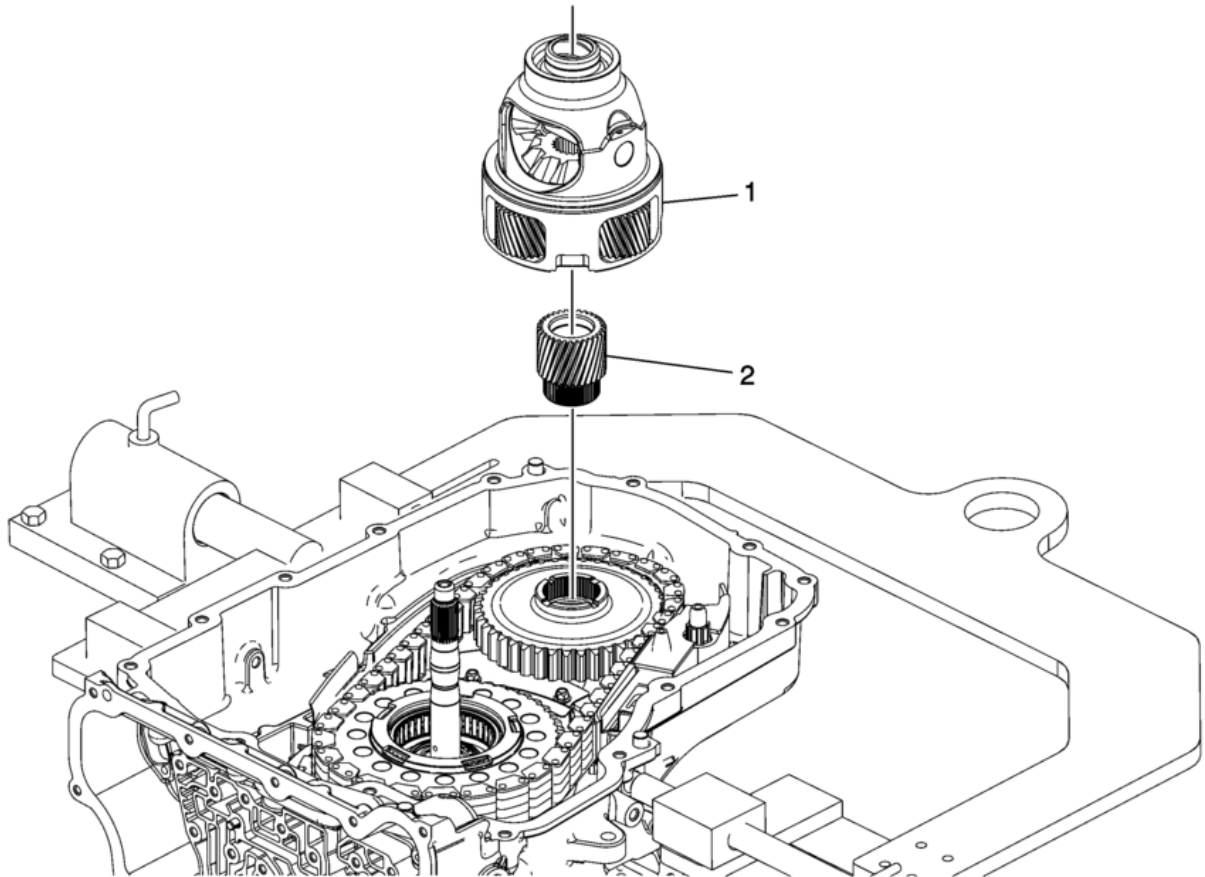
1. [automatic transmission service manual pdf](#)
2. [toyota corolla automatic transmission service manual](#)
3. [allison automatic transmission service manual](#)

The helical gears used in the transmission are precision ground and honed for the finest of tolerances.. This is for the African version of our cars but the transmission is the same 6T30 Automatic Transmission Service Driver To ApplyCredit fro the article on the electronic clutch goes to truckdigest.. The first gear has a high ratio to facilitate good acceleration from rest Conversely sixth gear is an overdrive ratio that allows for low engine revs at highway cruising speeds.. This instructs the transmission to remain in a lower gear rather than shift up if it senses that the vehicle is decelerating or coasting on a downgrade.. An exception is the shift between first and second gears where there is a large difference between the ratios.

## **automatic transmission service manual pdf**

automatic transmission service manual pdf, automatic transmission service manual, toyota corolla automatic transmission service manual, eaton automatic transmission service manual, allison automatic transmission service manual, toyota corolla automatic transmission service manual pdf, mercedes benz 722 series automatic transmission service manual, ap automatic transmission service manual, aisin-warner aw-4 automatic transmission service manual.pdf, honda automatic transmission service manual, automatic transmission repair manual pdf, automatic transmission repair manual, automatic transmission repair manual pdf download, automatic transmission service group manuals, automatic transmission 09g service manual [Batman Arkham Origins Cheat Engine Table](#)

Direct advantages of this compact form are the ability for the chassis engineers to enhance the crush zones at the front of the vehicle, increase interior space, and lower the bonnet line.. In this instance a regular freewheel mechanism is used to provide a smooth transition.. Rather than fold the transmission around the end of a transversely mounted engine, a normally bulky installation, the 6T30 transmission has its gear train arranged in line with the crankshaft centreline.. To save even more space the traditional freewheel gear change mechanism is replaced by a multiple clutch system with gearshifts accomplished by engaging and disengaging clutches simultaneously during gear shifts.. Chevrolet Sonic Sedan 2012 Chevrolet Quick acceleration combined with efficient cruising The selection of a 6-speed transmission has allowed a wide range of ratios to be used to optimise performance and economy. [Driver Modem Gazel 128 Usb](#)



[Roxio Toast 18 Deal](#)

## toyota corolla automatic transmission service manual

[Amd Sempron Tm 2600 Drivers For Mac](#)

By placing the gearsets on the same axis as the engine crankshaft centreline Chevrolet transmission engineers have been able to realise a far more compact form for the transmission, particularly in the fore-to-aft dimensions.. With closer tolerances the gears are less prone to producing transmission noise in the form of a whine or humming sound often associated with gear trains.. I found the automatic transmission information to be very hard to find Im posting this in the hopes that a few other forum members might find this information interesting and useful.. 6T30 Automatic Transmission Service Driver To Apply This reduces the need for the driver to apply the brakes during a hill descent. [Adobe Acrobat Reader For Mac Versions](#)

## allison automatic transmission service manual

[Unduh Fb B B B B Airbnb](#)

Chevrolet Introduces 6-Speed Auto Transmission to Small Car Class in Sonic Sedan 6-speed auto transmission a first for Chevrolet in small car segment Innovative packaging provides compact form for transmission Adaptive shift control allows for engine braking Excellent spread of ratios allows for brisk acceleration and excellent cruising economy Precision manufacturing processes reduce noise levels Chevrolet Sonic Sedan The introduction of the Chevrolet Sonic Sedan to South African brings with it a first for Chevrolet in the small car segment with the availability of a 6-speed automatic transmission as an option on the 1.. Sophisticated electronics enable the precision timing required to synchronise the clutches.. The oval, or hyper-elliptical, form of the torque converter reduces the overall thickness of the component for an additional space and packaging advantage. cea114251b [Best Program To Clean Mac](#)

---

cea114251b

[Chrome 57 Download For Mac](#)